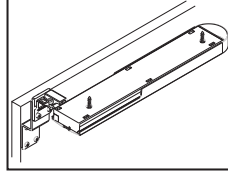


Soft closing system,  
see page 51



## Hardware system for overlay sliding cabinet/wardrobe doors with a weight up to 50 kg (110 lbs.) or 70 kg (154 lbs.).

### Description

The HAWA-210 50-70/VF is a hardware system which meets the highest quality demands in the field of cabinet construction. Doors with a weight up to 50 kg (110 lbs.) can be moved with the greatest of ease and practically silently thanks to plastic coated ball bearing rollers. For heavier doors with a weight between 50 kg (110 lbs.) and 70 kg (154 lbs.), a centre spring-loaded trolley has to be installed in addition. The track stop with retainer can be adjusted to the corresponding door weight.

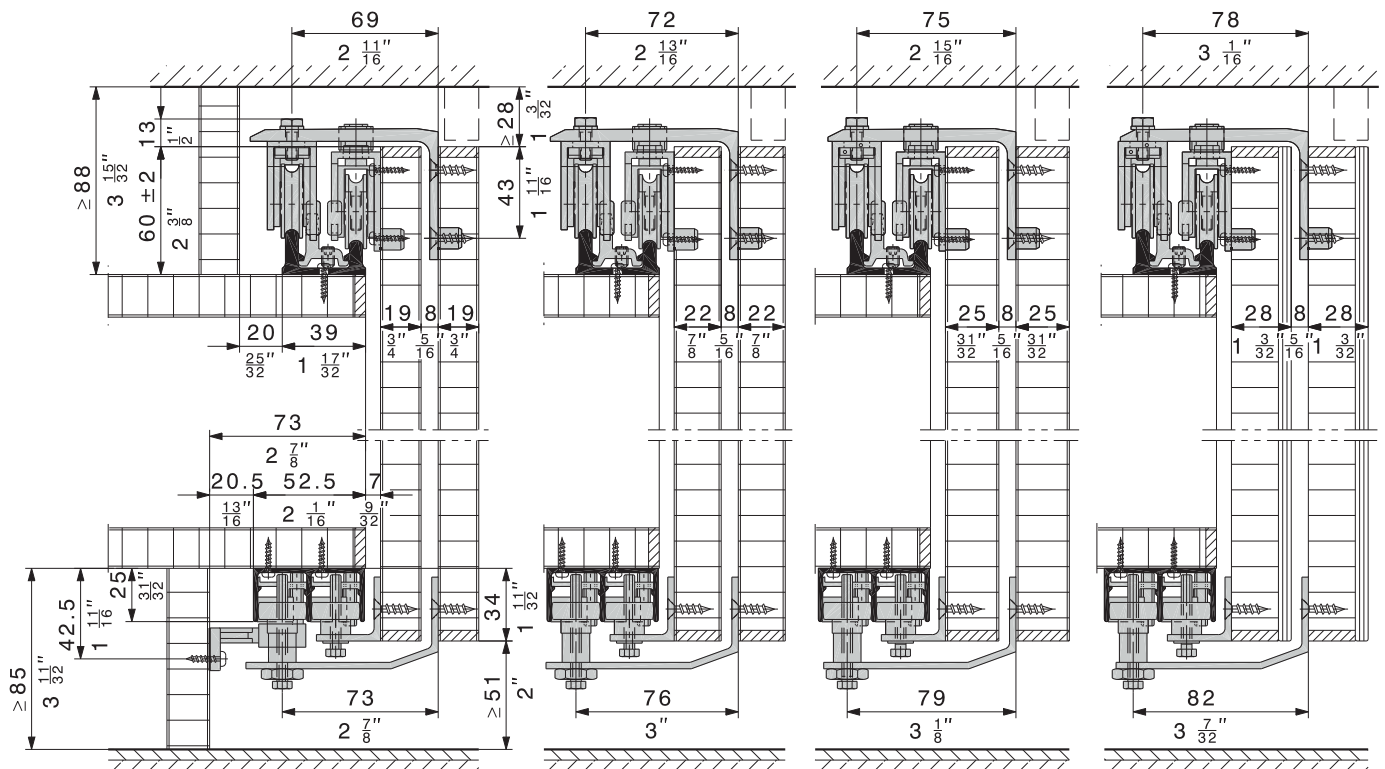
Middle overlay sliding cabinet doors can be moved in both directions thanks to an additional retention bumper which is installed on the base. This hardware system is therefore also an excellent choice for 3-panel constructions.

### Applications

This hardware system is ideal for use wherever high demands are placed on quality, quiet operation, comfort and long service life, e.g. in hotels, offices, hospitals, etc.

### Features of the HAWA-210 50-70/VF

- Single-wheeled trolley
- Maximum door weights 50 kg / 70 kg (110 lbs./154 lbs.)
- Door thicknesses 19, 22, 25 and 28 mm ( $\frac{3}{4}$ ",  $\frac{55}{64}$ ",  $\frac{63}{64}$ " and  $1 \frac{7}{64}$ " )
- Progressive vertical adjustment  $\pm 2$  mm ( $\frac{3}{32}$ " )
- Track stop at top with adjustable retainer
- Track stop at bottom as bumper



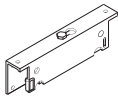
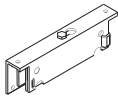
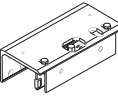
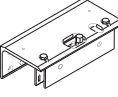



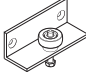




Technische Änderungen vorbehalten.

## Sets without top tracks and bottom guide channels

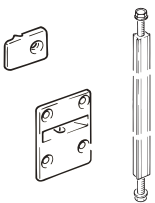
	panel	code
HAWA-210 50/VF	2	13629
	3	13630

If the centre panel is to be at the rear, the hardware system has to be ordered specially.

## Set comprising

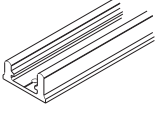
	13629	13630	code
	1	2	10392
	1	2	10393
	1	1	10395
	1	1	10396
	1	2	10603
	4	4	10605
	4	4	10616
	2	4	13376
	2	2	13632
	2	2	10589
	1	1	10780
	1	1	10785

## Aligner - Set for 1 door

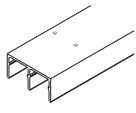
	code
 <p>Aligner for stabilisation of sliding doors (Set of 2 pieces)</p>	18705

- door thicknesses 16 - 27 mm ( $\frac{5}{8}$ " -  $1 \frac{1}{16}$ "
- door height up to 2400 mm ( $7 \frac{10}{16}$  -  $7 \frac{31}{64}$ "
- (not for hard wood)
- we recommend 2 fittings per door (= 1 set)

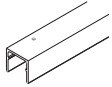
## Dual top tracks

Caution: Hole positions vary.		mm/inch	code
		2500 (8'2 $\frac{27}{64}$ ")	16140
		3500 (11'5 $\frac{51}{64}$ ")	16141
		6000 (19'8 $\frac{7}{32}$ ")	10171
		cut to size	10173

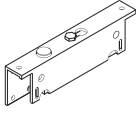
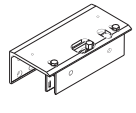
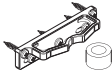
## Dual bottom guide channels

Caution: Hole positions vary.		mm/inch	code
		2500 (8'2 $\frac{27}{64}$ ")	10251
		3500 (11'5 $\frac{51}{64}$ ")	10253
		6000 (19'8 $\frac{7}{32}$ ")	10254
		cut to size	10256

## Single bottom guide channels for special applications

Caution: Hole positions vary.		mm/inch	code
	Single bottom guide channel, alu plain anodized, predrilled	cut to size	10304

## Accessories

	code	
	Spring loaded centre single-wheeled trolley with plastic-tyred ball bearing wheel, for inner door (for panel weights between 50 and 70 kg [110 and 154 lbs.])	10394
	Spring loaded centre single-wheeled trolley with plastic-tyred ball bearing wheel, for outer door (for panel weights between 50 and 70 kg [110 and 154 lbs.])	10397
	Stop bumper for central sliding door, front rolling	13232

Centre stop for 3-panel sliding/wardrobe doors: When using a centre stop, sliding cabinet/wardrobe base support must be to the rear by 20.5 mm ( $\frac{13}{16}$ ").

## Order specifications

- Number and type of hardware sets
- Type and length of top track
- Type and length of guide channel
- Number and type of accessories

## Aligner

Detail's for aligner see page 53.

## Planning/installation

Please use for planning and execution the installation drawing code 13635.