

Hardware system for sliding doors weighing up to 160 kg (352 lbs.).
For low headroom applications.

Description

The HAWA-Junior 160/B is a hardware system with top fixed suspension for low headroom applications and for sliding doors with a weight of up to 160 kg (352 lbs.).

Features of the HAWA-Junior 160/B


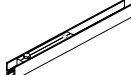



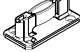
- Top fixed suspension
- Low headroom applications
- Light and silent action
- Adjustable vertically $\pm 3\text{mm}$ ($\frac{1}{8}"$)
- Track stop, adjustable retaining force

Set for single sliding door, without running track

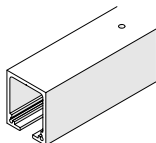

	code
HAWA-Junior 160/B	11695
HAWA-Junior 160/B, with 2 track stops	26044

For two-panel sliding doors please order two sets for single doors.

Set comprising

	11695	26044	code
	2	2	10424
	2	2	10491
	2	2	20907
	1	2	10639
	1	1	13114
	1	1	14711

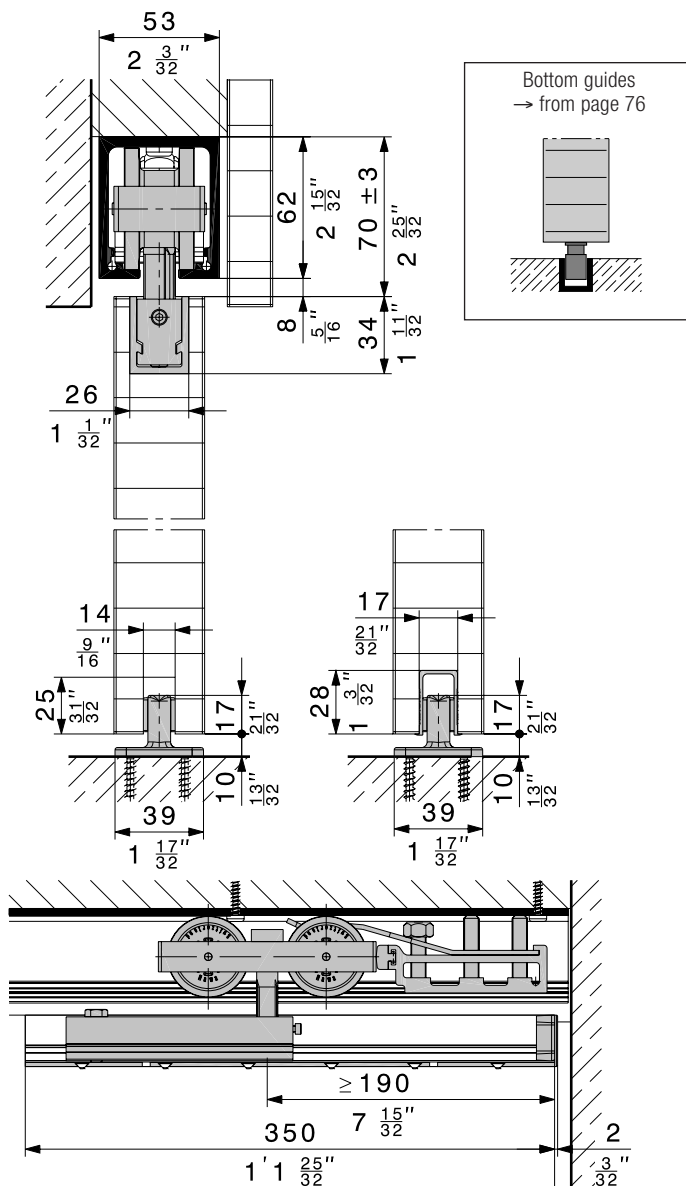
Running tracks

Caution: Hole positions vary		mm/inch	code
		3000 (9'10 $\frac{1}{8}"$)	24608
		4000 (13'1 $\frac{1}{2}"$)	24607
		5000 (16'4 $\frac{3}{8}"$)	24606
		6000 (19'8 $\frac{3}{8}"$)	24605
		cut to size	24609
	Connecting pins for profiles, set of 2 pieces		21347



Planning/installation

For planning and execution please use the installation instructions code 17689. (\rightarrow www.hawa.ch \rightarrow HAWA-Productfinder)

HAWA-Junior hardware may also be used for glass sliding doors. Please request the corresponding documentation.




Accessories

Caution: Minor differences in colour are possible		code
	Guide profile plastic, black, 3000 mm (9'10 $\frac{1}{8}"$), groove mounted, set of 5 pieces	14963
	Bottom door stop with centering assembly	dull chromium finish 20773
		stainless steel effect 21473

Further accessories: \rightarrow pages 68 – 83

Suspension profiles

	mm/inch	code
	6500 (21'3 $\frac{3}{8}"$)	10346
	cut to size	10347

To spread out the door weight for heavy sliding doors we recommend using a continuous suspension profile.