

Hardware system for pivot sliding furniture doors with a panel weight up to 25 kg, 30 kg, 35 kg or 40 kg (55, 66, 77 or 88 lbs.)

Description

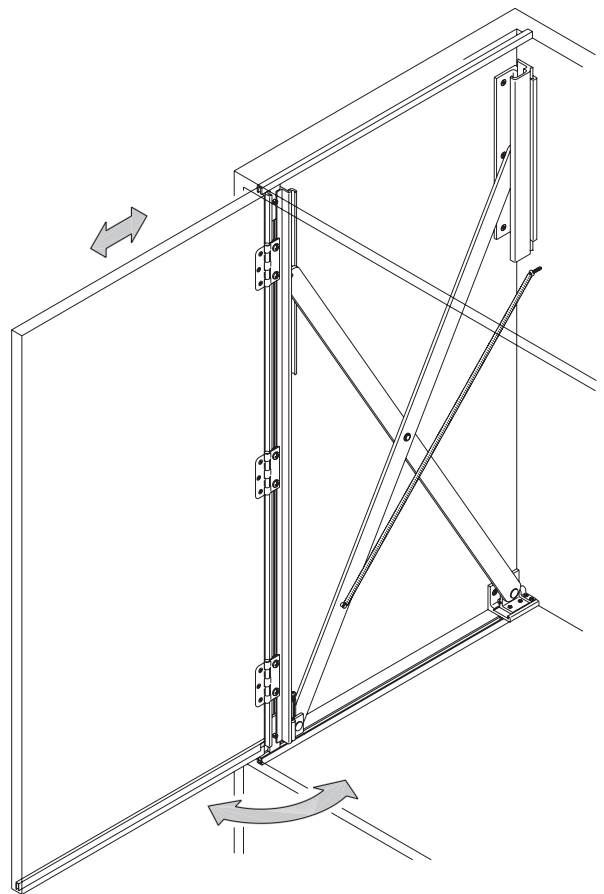
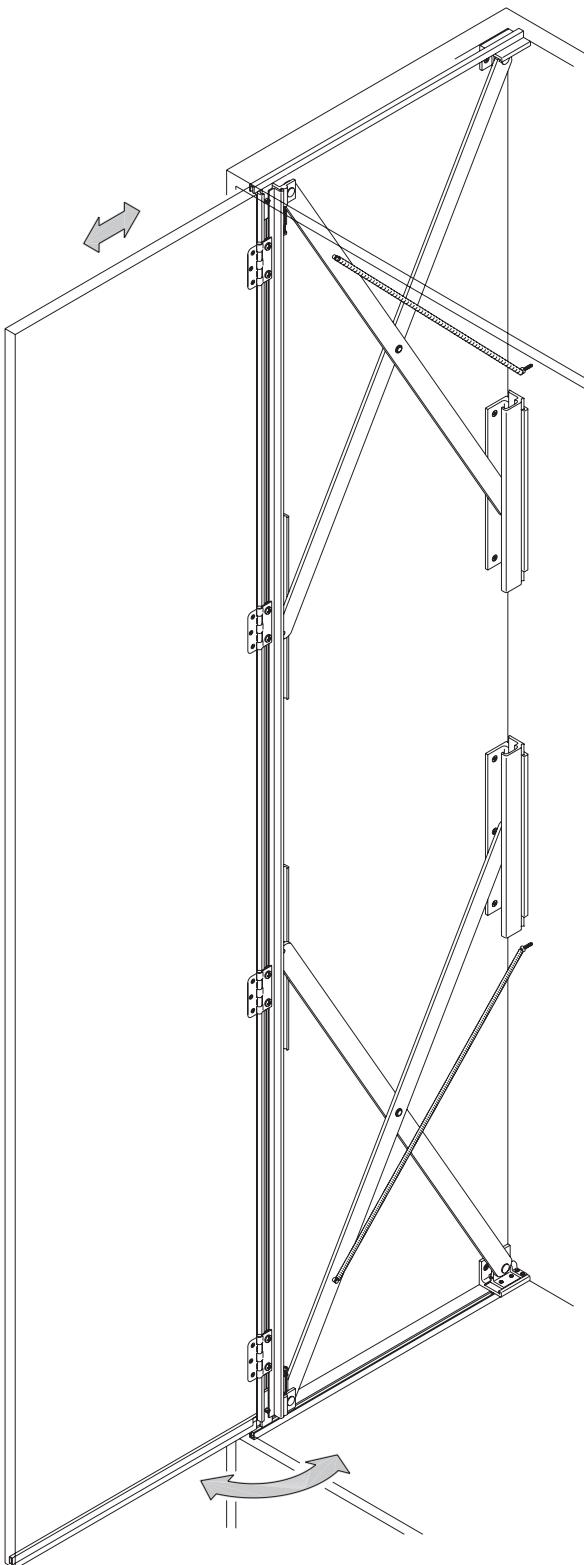
This hardware system is for sliding furniture doors inwards. It is installed on the exterior of the cabinet, guided in plastic top tracks and bottom guide channels and is covered by a removable interior panel.

Applications

This hardware system is ideal for use wherever a high-quality solution is required for pivot sliding doors in furniture, e.g. in hotels, hospitals, apartments, public buildings, and in the industrial and administration sectors.

Features of the HAWA-Turnaway 25/X2-40/X5

- Maximum panel weights 25, 30, 35 or 40 kg (55, 66, 77 or 88 lbs.)
- Panel heights from 650–2800 mm (2'1 $\frac{19}{32}$ " – 9'2 $\frac{15}{64}$ ")
- Door thicknesses up to 45 mm (1 $\frac{49}{64}$ ")
- Simple vertical adjustment



Subject to modification. Metric specifications are exact. Inches are approximate.

HAWA-Turnaway 25/X2

- 1 scissor
- Door weight up to 25 kg (55 lbs.)
- Door heights 650–1800 mm
(2'1 ¹⁹/₃₂"–5'10 ⁵⁵/₆₄")
- Door thicknesses 22–45 mm
(⁵⁵/₆₄"–1 ⁴⁹/₆₄")

HAWA-Turnaway 35/X3

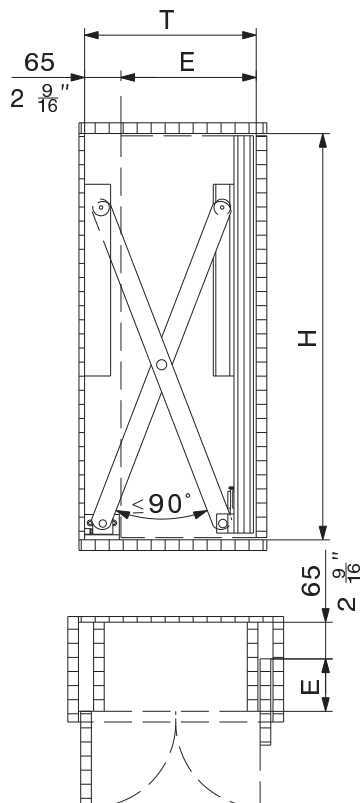
- 1 reinforced scissor
- Door weight up to 35 kg (77 lbs.)
- Door heights 1801–2450 mm
(5'10 ²⁹/₃₂"–8'0 ²⁹/₆₄")
- Door thicknesses 22–45 mm
(⁵⁵/₆₄"–1 ⁴⁹/₆₄")

HAWA-Turnaway 30/X4

- 2 scissors
- Door weight up to 30 kg (66 lbs.)
- Door heights 2451–2800 mm
(8'0 ¹/₂"–9'2 ¹⁵/₆₄")
- Door thickness 22–45 mm
(⁵⁵/₆₄"–1 ⁴⁹/₆₄")

HAWA-Turnaway 40/X5

- 2 reinforced scissors
- Door weight up to 40 kg (88 lbs.)
- Door heights 2451–2800 mm
(8'0 ¹/₂"–9'2 ¹⁵/₆₄")
- Door thicknesses 22–45 mm
(⁵⁵/₆₄"–1 ⁴⁹/₆₄")



Sets

	H mm/inch	E mm/inch	T mm/inch		code
HAWA-Turnaway 25/X2	650–1050 (2'1 ¹⁹ / ₃₂ "–3'5 ¹¹ / ₃₂ ")	450 (1'5 ²³ / ₃₂ ")	515 (1'8 ⁹ / ₃₂ ")	left	17145
				right	15922
	1051–1200 (3'5 ³ / ₈ "–3'11 ¹ / ₄ ")	700 (2'3 ⁹ / ₁₆ ")	765 (2'6 ¹ / ₈ ")	left	10684
				right	10685
	1201–1500 (3'11 ⁹ / ₃₂ "–4'11 ¹ / ₁₆ ")	780 (2'6 ⁴⁵ / ₆₄ ")	845 (2'9 ¹⁷ / ₆₄ ")	left	10686
				right	10687
	1501–1800 (4'11 ³ / ₃₂ "–5'10 ⁵⁵ / ₆₄ ")	820 (2'8 ⁹ / ₃₂ ")	885 (2'10 ²⁷ / ₃₂ ")	left	10688
				right	10689
HAWA-Turnaway 35/X3	1801–2450 (5'10 ²⁹ / ₃₂ "–8'0 ²⁹ / ₆₄ ")	820 (2'8 ⁹ / ₃₂ ")	885 (2'10 ²⁷ / ₃₂ ")	left	10700
			right	10701	
HAWA-Turnaway 30/X4	2451–2800 (8'0 ¹ / ₂ "–9'2 ¹⁵ / ₆₄ ")	820 (2'8 ⁹ / ₃₂ ")	885 (2'10 ²⁷ / ₃₂ ")	left	10694
			right	10695	
HAWA-Turnaway 40/X5	2451–2800 (8'0 ¹ / ₂ "–9'2 ¹⁵ / ₆₄ ")	820 (2'8 ⁹ / ₃₂ ")	885 (2'10 ²⁷ / ₃₂ ")	left	10708
			right	10709	

- H = Clear dimension between cabinet floor and top
- E = maximum retraction of door
- T = maximum permissible distance for hardware installation from the interior of the closed door to the back edge of the hardware system.

Order specifications

- Clear dimension between cabinet floor and top H
- Number and type of sets

Planning/installation

Please use for planning and execution the installation drawing code 13507. (→ www.hawa.ch → HAWA-Productfinder)

