

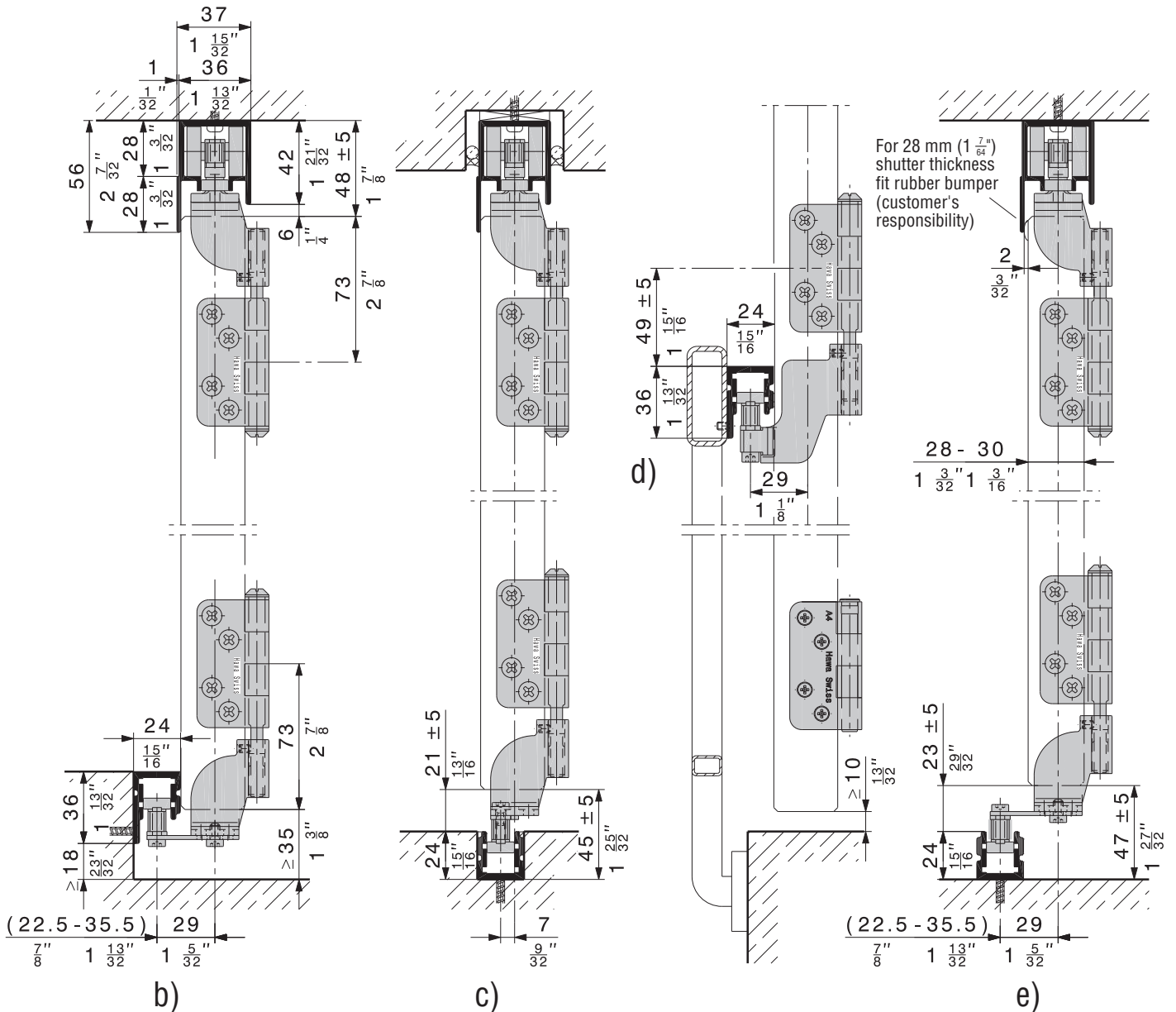
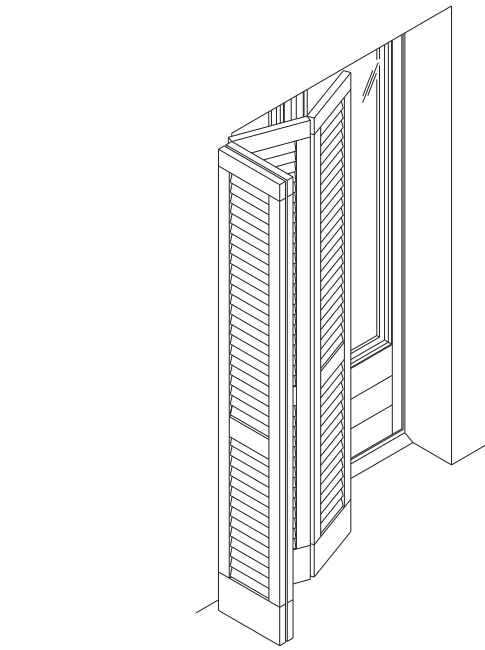
Hardware system for metal, aluminium or wood folding sliding shutters with a panel weight up to 20 kg (44 lbs.) (inset or overlay mounting).

Description

HAWA-Frontfold 20 is a newly developed hardware system for sliding and folding shutters. With this hardware system, shutters can be folded together and placed sideways at an angle of 90° to the front of the window.

Features of the HAWA-Frontfold 20

- Maximum shutter width 600 mm (1'11 ⁵/₈"
- Wood: shutter thicknesses, 28–36 mm (1 ⁷/₆₄"–1 ²⁷/₆₄")
Metal/Aluminium: shutter thicknesses, 28–32 mm (1 ⁷/₆₄"–1 ¹⁷/₆₄")
- Folding sliding shutters can be installed in front of the window or on the exterior of the balcony
- The folding stack is installed on one side with pivot bearings
- Versions are available for an odd or even number of panels
- The folding stack can be pushed sideways against a wall or used free-standing for privacy or protection against wind, etc.
- Closure with HAWA spring catch
- Adjustable vertically ± 5 mm (¹³/₆₄"

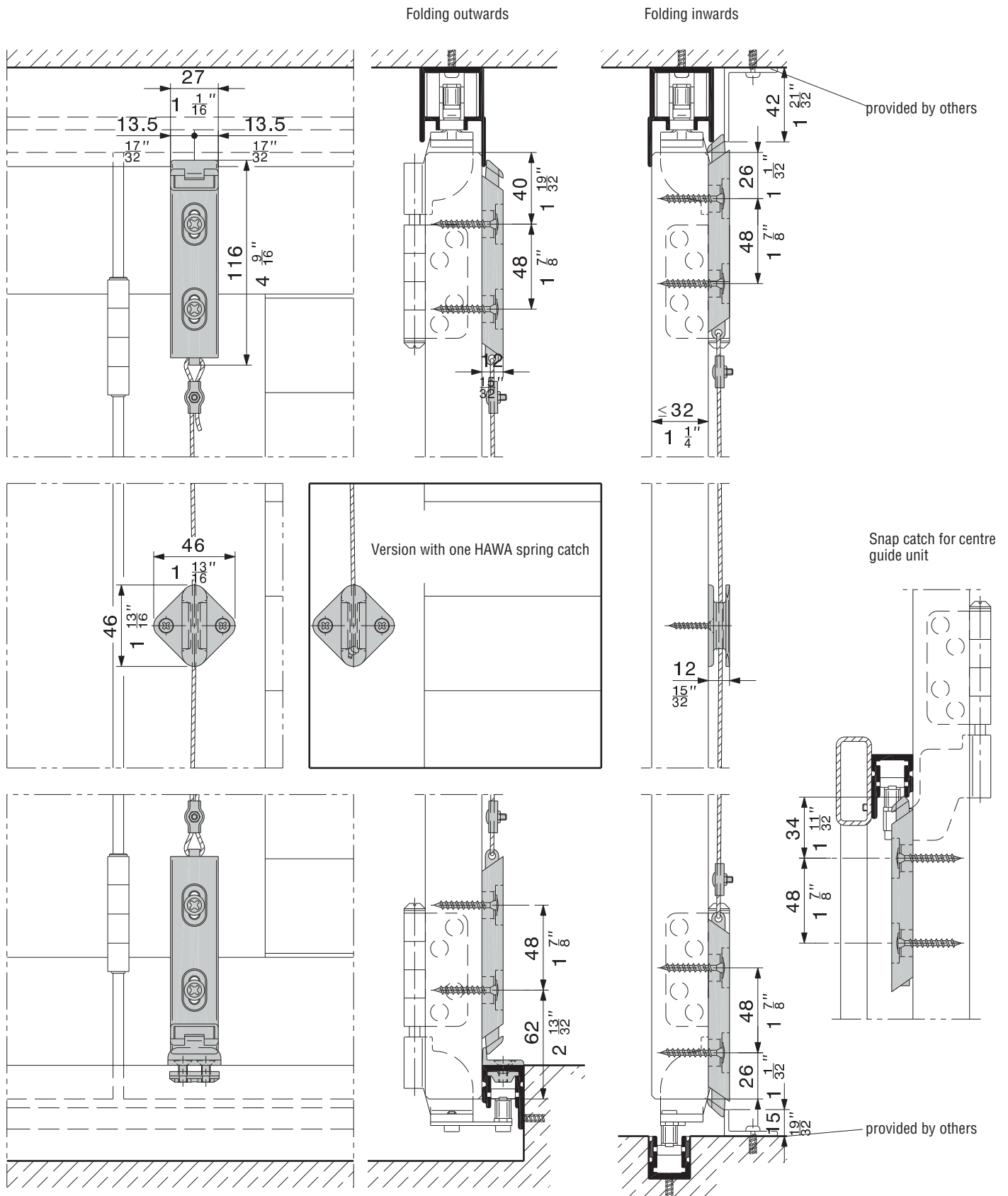


The bottom guide channels are not in line with the top track axis.

Subject to modification. Metric specifications are exact. Inches are approximate.

Spring catch

HAWA spring catches can be used for closing and securing folding sliding shutters that open outwards or inwards.



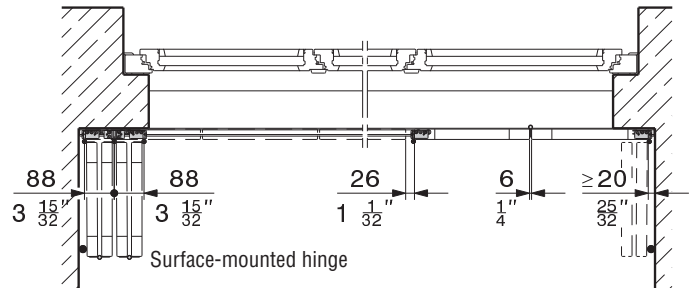
Subject to modification. Metric specifications are exact. Inches are approximate.

Panel number

The panel number is illimited. Designs with odd and even panel numbers are possible.

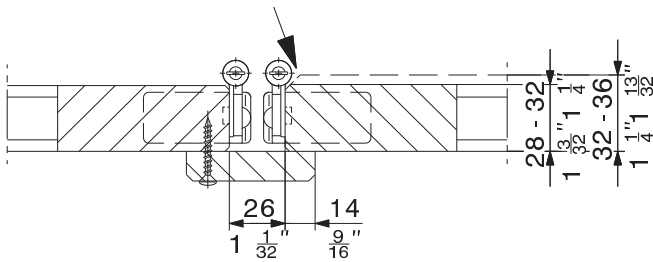


Folding panel package and rebate width



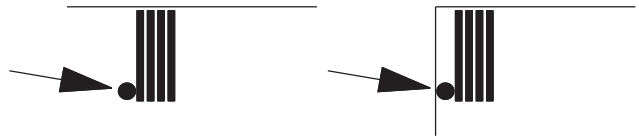
Hinges pin

When the folding sliding shutters have thickness over 32 mm (1 17/64"), the hinge knuckles bearing must be recessed.



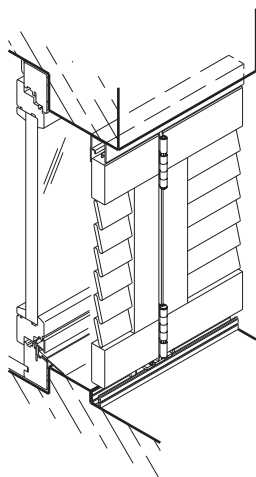
Fit bumper stop

The stacked panels have to be protected against wind influence. Fit bumper stop so as to prevent the folding panel package from overturning. (provided by customer)

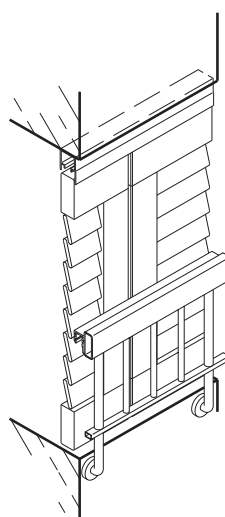


Mounting variants

inlay

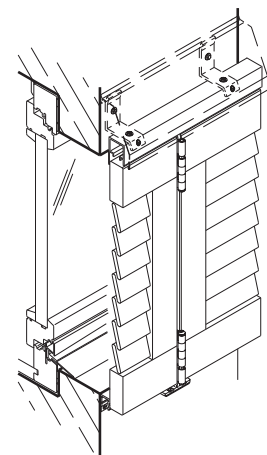


Bottom guide unit, without plate



Centre guide unit

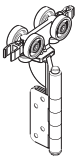

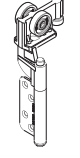
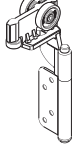
overlay



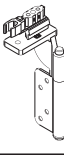

Bottom guide unit, with plate

Subject to modification. Metric specifications are exact. Inches are approximate.

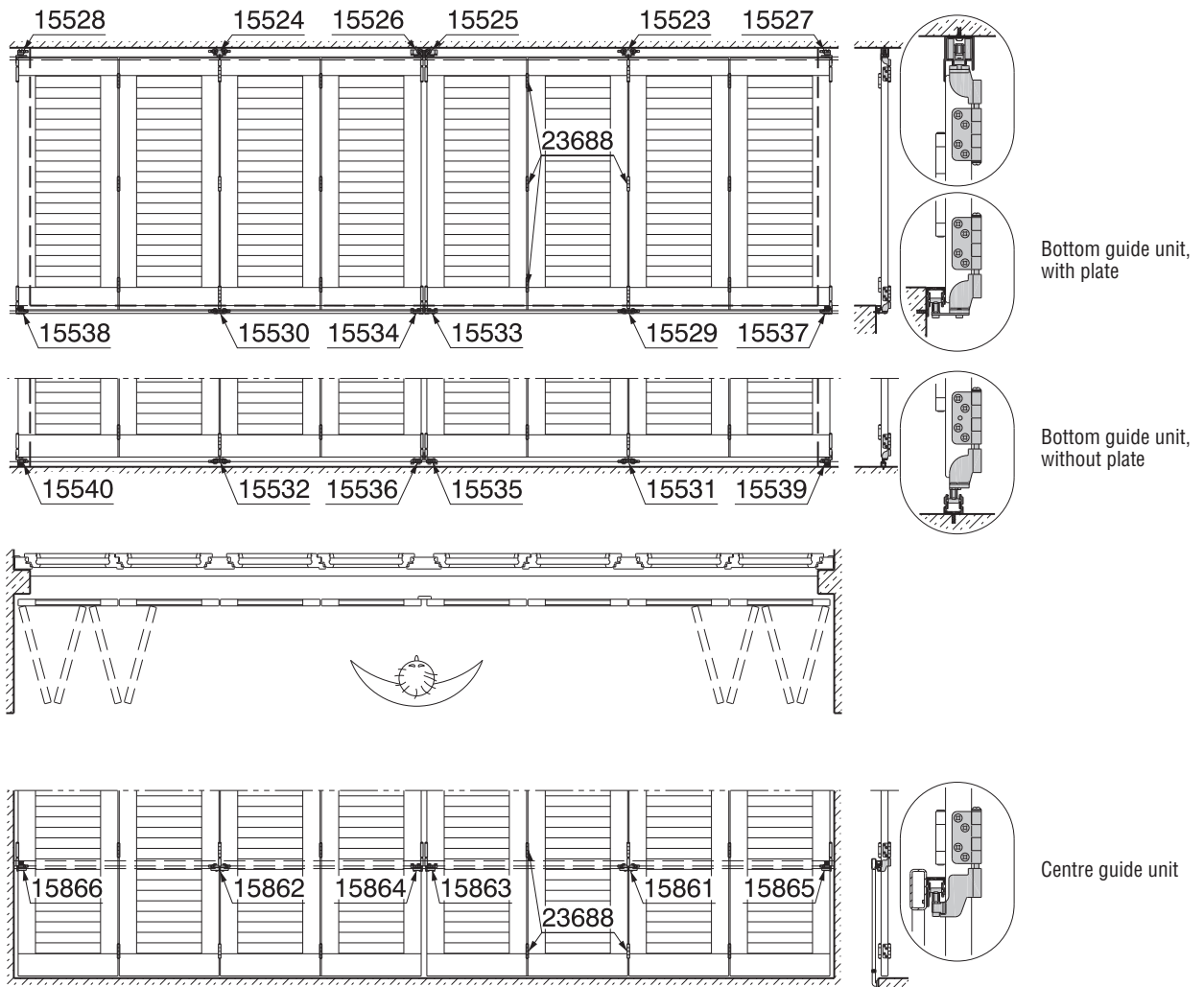
Top centre trolleys

		folding to the	code
	Centre trolley with 4 plastic suspension wheels and 2 guide rollers, M8	right	15523
		left	15524
	Outer trolley with 2 plastic suspension wheels and 2 guide rollers, M8	right	15525
		left	15526

Fixed suspension units

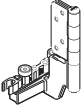
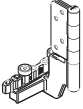

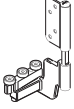
		folding to the	code
	Fixed suspension unit, M8	right	15527
		left	15528

Hardware system components

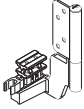



Subject to modification. Metric specifications are exact. Inches are approximate.

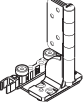
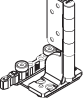
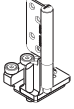
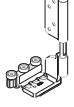
Centre guide units, shutter thicknesses, 28–32 mm (1 $\frac{7}{64}$ "–1 $\frac{17}{64}$ ")

		folding to the	code
	Centre guide unit in the middle	right	15861
		left	15862
	Centre guide unit outside	right	15863
		left	15864

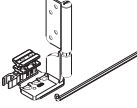
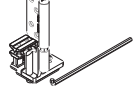
Fixed bottom centre guide, shutter thicknesses, 28–32 mm (1 $\frac{7}{64}$ "–1 $\frac{17}{64}$ ")

		folding to the	code
	Fixed bottom centre guide unit	right	15865
		left	15866

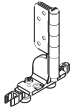
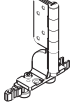


Floor guide units, with plate

		folding to the	code
	Centre floor guide unit, M8, with 2 plastic guide rollers, with plate	right	15529
		left	15530
	Outer end floor guide unit, M8, with 3 plastic guide rollers, with plate	right	15533
		left	15534

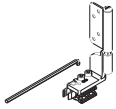
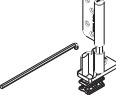
Fixed floor guide units, with plate

		faltend nach	code
	Fixed floor guide unit, M8, with plate	right	15537
		left	15538

Floor guides units, without plate

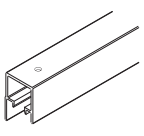
		folding to the	code
	Centre floor guide unit, M8, with 2 plastic guide rollers, without plate	right	15531
		left	15532
	Outer end floor guide unit, M8, with 3 plastic guide rollers, without plate	right	15535
		left	15536

Fixed floor guide units, without plate

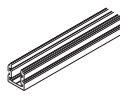
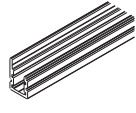
		folding to the	code
	Fixed floor guide unit, M8, without plate	right	15539
		left	15540

Subject to modification. Metric specifications are exact. Inches are approximate.

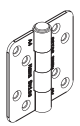
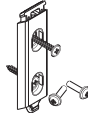
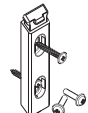



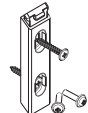
Top tracks

Caution: Hole positions vary.			code
	Top track, alu plain anodized, predrilled	3500 mm (11'5 ¹³ / ₁₆)	20984
		6000 mm (19'8 ⁷ / ₃₂)	15403
		cut to size	15553

Bottom guide channels

			code
	Bottom guide channel, alu plain anodized, undrilled	6000 mm (19'8 ⁷ / ₃₂)	15405
		cut to size	15554
	Bottom guide channel, alu plain anodized, undrilled	3500 mm (11'5 ¹³ / ₁₆)	20985
		6000 mm (19'8 ⁷ / ₃₂)	15474
		cut to size	15555

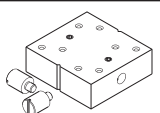
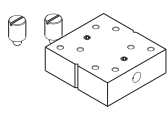


Accessories

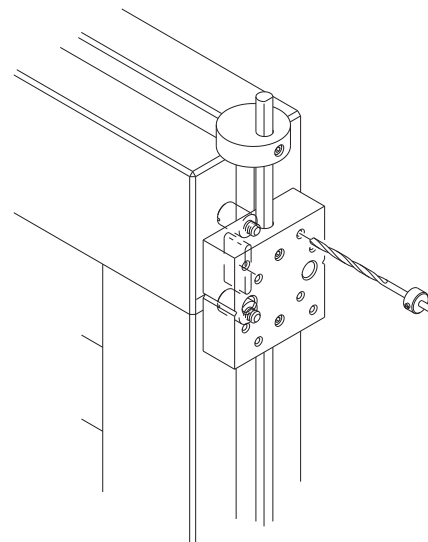
			code
	Hinge, stainless steel WNR 1.4404 (A4)		23688
	HAWA spring catch, alu plain anodized, opening	inwards	15513
		outwards	15514
	Angle-type strike plate for spring-catch		15661
	Cord for spring catch operation on top, including handle and clamp	top 2000 mm (6'6 ⁴⁷ / ₆₄)	15674
		top/bottom 4000 mm (13'1 ³¹ / ₆₄)	15675
	Snap-lock, alu plain anodized (for centre guide units)		15917

Number of hinges required

panel height	pieces
up to 1600 mm (5'3")	2
1601–2400 mm (5'3 ¹ / ₃₂ –7'10 ¹ / ₂)	3
from 2401 mm (7'10 ¹⁷ / ₃₂)	4

Drilling jig and supplementary components

			code	
	Drilling jig for hinges and suspension units, incl. threaded pins Ø 12 mm (¹⁵ / ₃₂), suitable for profiled bolt of Ø 8 mm (⁵ / ₁₆) diameter of an espagnolette lock		15888	
	Drilling jig for riveting, incl. threaded pins Ø 12 mm (¹⁵ / ₃₂), suitable for profiled bolt of Ø 8 mm (⁵ / ₁₆) diameter of an espagnolette lock		19596	
	Set of two threaded pins	shutter thickness 34 mm (1 ¹¹ / ₃₂)	Ø 8 mm (⁵ / ₁₆)	15894
		shutter thickness 28 mm (1 ⁷ / ₆₄)	Ø 16 mm (⁵ / ₈)	15896
	Limit stop with setscrew, suitable to profiled bolt of Ø 8 mm (⁵ / ₁₆) diameter of an espagnolette lock		15899	



Commercial espagnolette, Ø 8 mm (⁵/₁₆)

Order specifications

- Number of panels folding to the right
- Number of panels folding to the left
- Number and type of spring catches
- Number of snap-locks
- Operation of spring catches upwards and downwards
- Number and type of cords for spring catch operation
- Number of additional hinges (top tracks and bottom guides function as hinges)
- Type and length of top track
- Type and length of bottom guide channel
- Number and type of floor guides
- Number and type of centre guide units

- With or without drilling jig
- With or without limit stop for drilling jig
- Number of threaded pin sets

Planning/installation

Please use for planning and execution the installation instructions code 15284. (→ www.hawa.ch → HAWA-Productfinder)