



Sliding shutters for a functional façade finish.

Hardware system for wood, metal or aluminium sliding shutters with a panel weight up to 60 kg (132 lbs.)

Description

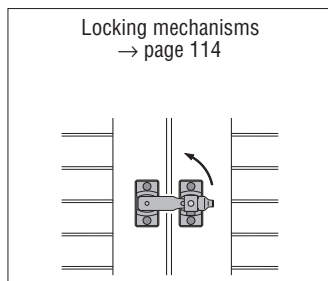
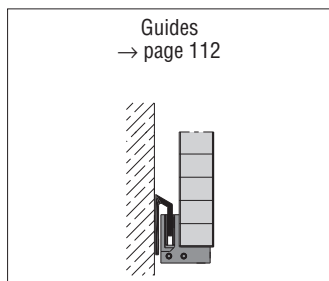
HAWA-Frontslide 60/A is a dependable hardware system for manually-operated sliding shutters, with different fitting options. Attached to the ceiling or window lintel, the top track screws directly to the load-bearing surface. An angled profile support is available for wall fitting, whereby the top track secures to the support profile using special assembly screws supplied by Hawa. On the aesthetic side, aluminium covering screens in natural anodized or plain finishes for custom painting simply clip-on to the inside or outside edges of the top track. In buildings with an air gap behind the façade, open window shutters can slide out of sight into the void between the building wall and the façade.

Applications

Ideal in building façades designed for privacy and shade, and where space is at a premium, e.g. schools, hotels, public buildings, office premises, low-energy homes, etc.

Features of the HAWA-Frontslide 60/A

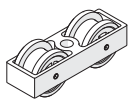
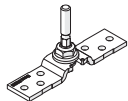
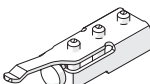
- Maximum sliding shutter weight: 60 kg (132 lbs.)
- Sliding shutter thickness: 28–45 mm (1 ¹/₈"–1 ²⁵/₃₂"
- Minimum sliding shutter width: 400 mm (1'3 ¹/₄"
- Maximum sliding shutter height: 3200 mm (10'6"
- Corrosion-resistant materials
- Fast and efficient assembly from below and from the façade side
- Clip-on covers for inside or outside attachment
- The sliding shutters can be moved into any position
- For wood, metal or aluminium sliding shutters
- Different design options of bottom guides
- External tests certify the highest wind resistance (Class 6)



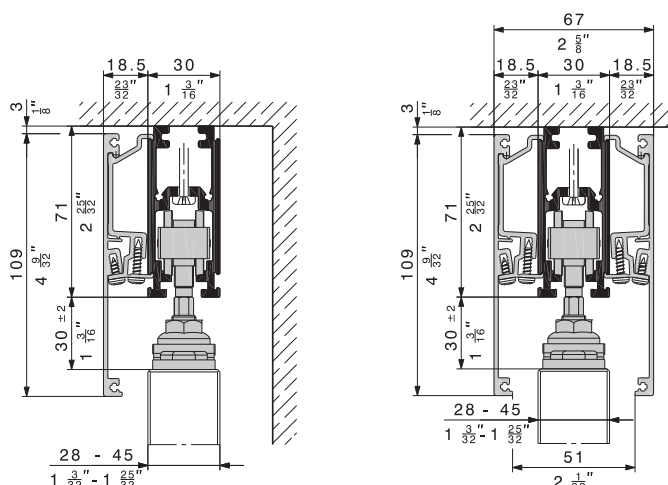
Set without top tracks and bottom guide channels

	code
HAWA-Frontslide 60/A, partial set for 1 sliding shutter	25117

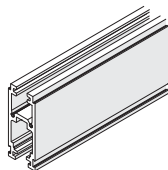

Set comprising

	piece	code
	2	17119
	2	24562
	2	17027

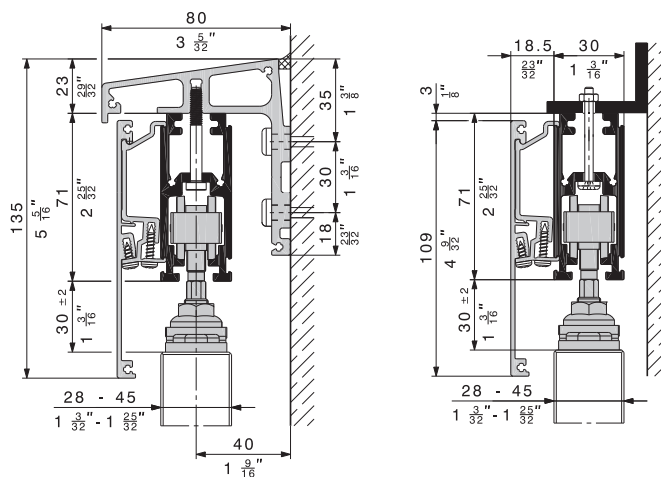
Ceiling or window lintel fitting



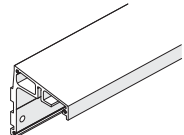


Top tracks for installations with or without covering screens

Caution: Hole positions vary.		mm/inch	code
		3500 (11'5 13/16")	24839
		6000 (19'8 7/32")	24795
		cut to size	24796
			17221

Wall fitting



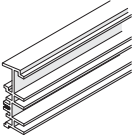
Angled profile support

Caution: Hole positions vary.		mm/inch	code
		6000 (19'8 7/32")	21378
		cut to size	21379
		6000 (19'8 7/32")	21380
		cut to size	21381
			19774
			17221
Special screws (code 19774) must be used for best results when fixing the track to the angled profile support.			

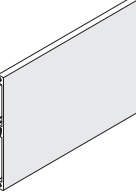



Angled profile support for one sliding level

Fixing bracket provided by customer


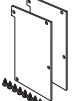
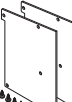
Spacer profile for angled profile support for one sliding level

	mm/inch	code
	Spacer profile for angled profile support for one sliding level, alu plain anodized	6000 (19'8 $\frac{7}{32}$ ") 19724
	cut to size	19727

Covering screens

	mm/inch	code
	Covering screens, alu plain anodized	3500 (11'5 $\frac{13}{16}$ ") 24845
		6000 (19'8 $\frac{7}{32}$ ") 24808
	cut to size	24809
	Covering screens, alu unanodized	6000 (19'8 $\frac{7}{32}$ ") 24810
	cut to size	24811
	Parts for fitting top track cover, set of 5 pieces	24767
	Connecting bolts, set of 6 pieces	17221

Front cover plates

	aluminium	code
	Front cover plates for HAWA-Frontslide 60, for ceiling fitting, 1 pair	plain anodized 24573
		unanodized 24575
	Front cover plates, for wall fitting without spacer profile, 1 pair	plain anodized 24577
		unanodized 24580
	Front cover plates, for wall fitting with spacer profile, 1 pair	plain anodized 24583
		unanodized 24586

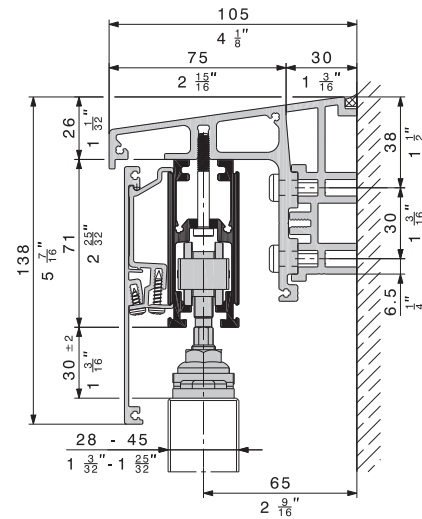
Order specifications

- Number of sets
- Number and length of top tracks
- For wall fittings:
 - Number, length and type of angled profile support
 - Number of **special fixing screw sets**
- Number, length and type of covering screens
- Number of fitting parts to covering screens
- Number and type of guides

Optional order specifications

- Number, length and type of spacer profiles for angled profile support
- Number and type of front cover plates
- Number of connecting bolt sets to profiles and covering screens
- Number and type of sliding shutter locking mechanisms

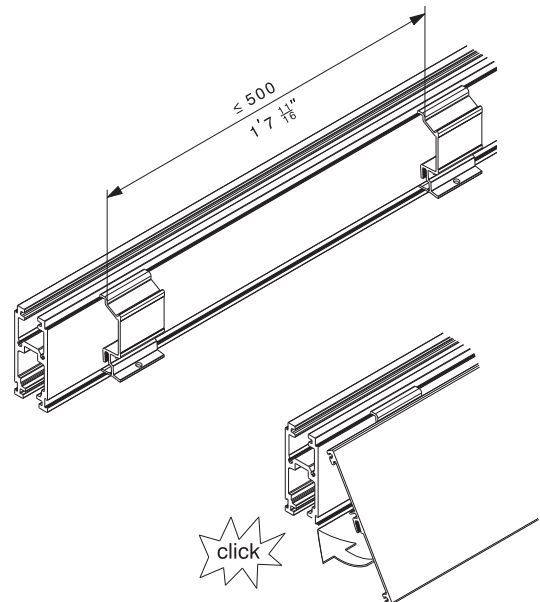
Wall fitting with increased clearance (weatherboard)



Spacer profile for angled profile support for one sliding level

Fitting the covering screens

Cover fixings (code 24767) are required for attaching the covering screens.



Guides and locking mechanisms for sliding shutters

Bottom guides and locking mechanisms: → pages 112–115.

Planning/installation

For planning and installation purposes, please use the installation drawing code 24984. (→ www.hawa.ch → HAWA-Productfinder)





Sliding shutters for a functional façade finish.

Hardware system with lower top track for wood, metal or aluminium sliding shutters with a panel weight up to 60 kg (132 lbs.).

Description

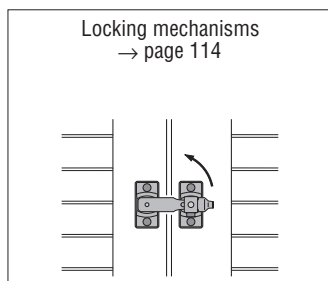
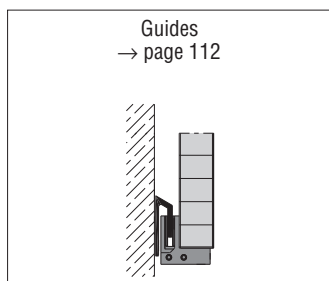
HAWA-Frontslide 60/A with lower top track, is a dependable hardware system for manually-operated sliding shutters, with different fitting options. Attached to the ceiling or window lintel, the top track screws directly to the load-bearing surface. A commercially available bracket may be used for wall mounting. In buildings with an air gap behind the façade, open window shutters can slide out of sight into the void between the building wall and the façade.

Applications

Ideal in building façades designed for privacy and shade, and where space is at a premium, e.g. schools, hotels, public buildings, office premises, low-energy homes, etc.

Features of the HAWA-Frontslide 60/A with lower top track

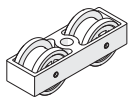
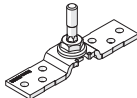
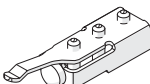
- Maximum sliding shutter weight: 60 kg (132 lbs.)
- Lower top track height: 37 mm (1 ¹⁵/₃₂")
- Minimum sliding shutter thickness: 28 mm (1 ¹/₈")
- Minimum sliding shutter width: 400 mm (1'3 ³/₄")
- Maximum sliding shutter height: 3200 mm (10'6"
- Corrosion-resistant materials
- Fast and efficient assembly from below and from the façade side
- The sliding shutters can be moved into any position
- For wood, metal or aluminium sliding shutters
- Different design options of bottom guides
- External tests certify the highest wind resistance (Class 6)



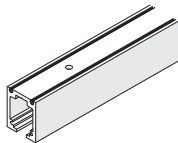

Set without top tracks and bottom guide channels

	code
HAWA-Frontslide 60/A, partial set for 1 sliding shutter with lower top track	25217

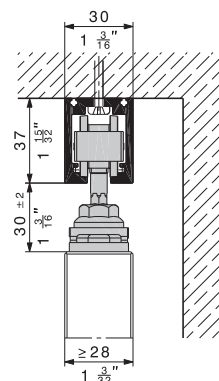
Set comprising

	piece	code
 Two-wheeled trolley, M8, with plastic wheels	2	17119
 Top fixing plate, stainless steel, with hanger bolt M8 for lower top track	2	25196
 Track stop with adjustable retainer	2	17027

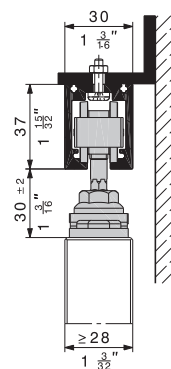
Lower top track

Caution: Hole positions vary.		mm/inch	code
	Lower top track, alu plain anodized, predrilled	2500 (8'2 ⁷ / ₁₆ ")	24842
		6000 (19'8 ⁷ / ₃₂ ")	24802
		cut to size	24803
	Connecting bolts, set of 6 pieces		17221

Ceiling or window lintel fitting



Wall fitting – solution provided by customer



Fixing bracket provided
by customer

Guides and locking mechanisms for sliding shutters

Bottom guides and locking mechanisms: → pages 112–115.

Order specifications

- Number of sets
- Number and length of top tracks
- Number and type of guides

Optional order specifications

- Number of connecting bolt sets to top tracks
- Number and type of sliding shutter locking mechanisms

Planning/installation

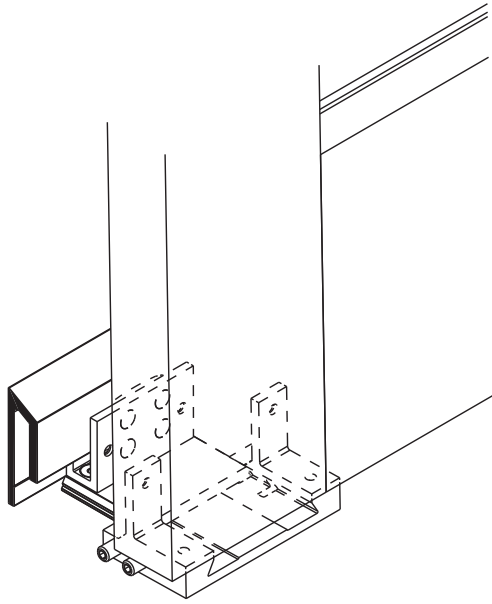
For planning and installation purposes, please use the installation drawing code 24984. (→ www.hawa.ch → HAWA-Productfinder)

Guides for sliding shutters up to 3200 mm (10'6") in height and 140 kg (308 lbs.) maximum weight.

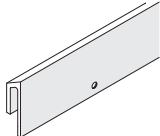
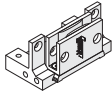
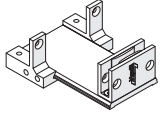
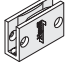
Description

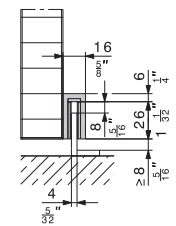
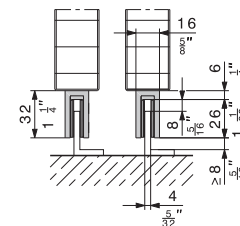
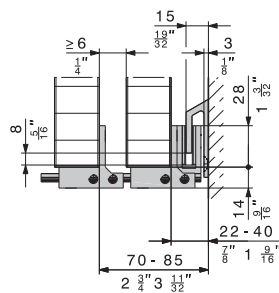
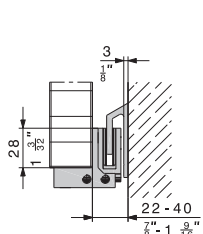
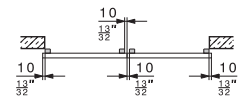
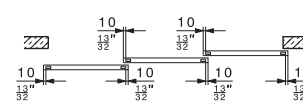
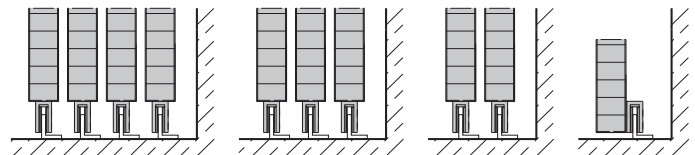
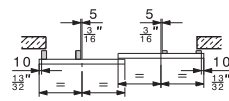
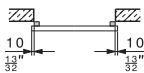
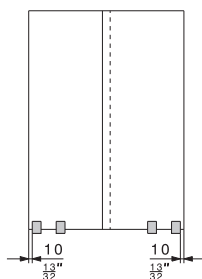
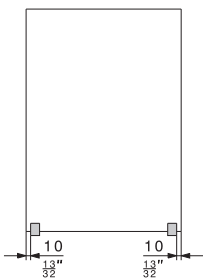
These guides are certified in accordance with the appropriate EU standard (wind resistance class 6) and can be used for a wide variety of applications. They are designed for sliding shutters up to 3200 mm (10'6") in height and a maximum weight of 140 kg (308 lbs.). Sliding shutter installations with 1 to 4 leaves, telescopic and symmetrical, manual or with a drive, can be easily realized with a minimal number of parts.

Commercially available, anodized aluminum bottom guide profiles can be used in combination with guide slider 24542.



Guides for HAWA-Frontslide

	mm/inch	code
	6000 (19'8 ⁷ / ₃₂ ")	24460
	cut to size	24462
	Floor guide unit, short, for bottom guide channel	24543
	Floor guide unit, long, for bottom guide channel	24544
	Screw-on guide slider	24542



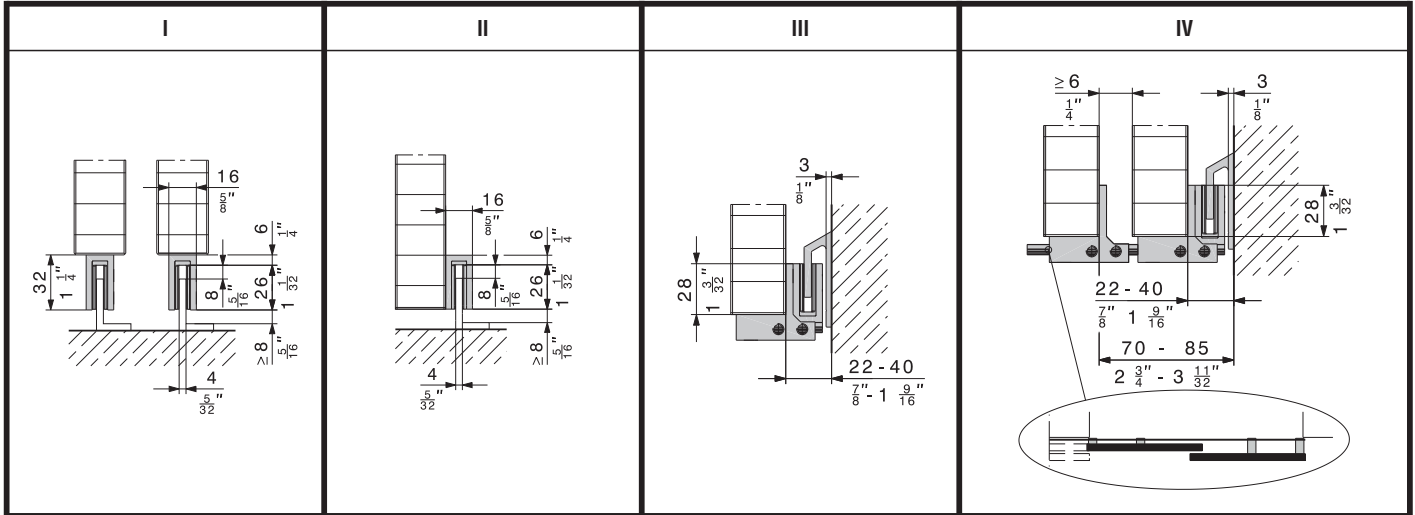
Floor guide 24543, bottom guide channels 24460/24462

Floor guides 24543/24544, bottom guide channels 24460/24462

Guide slider 24542 from Hawa and commercially available, anodized aluminum bottom guide profile.

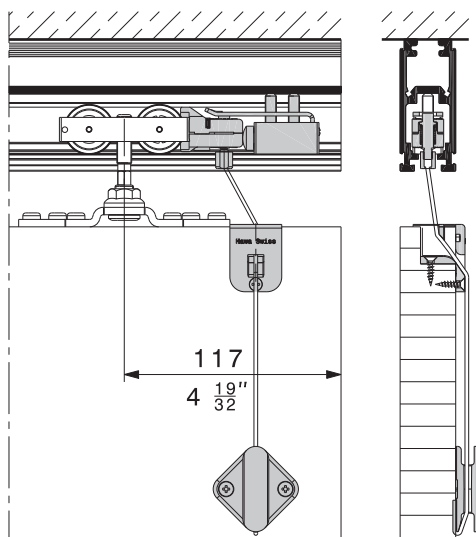
Technische Änderungen vorbehalten.

Overview of the guides for HAWA-Frontslide

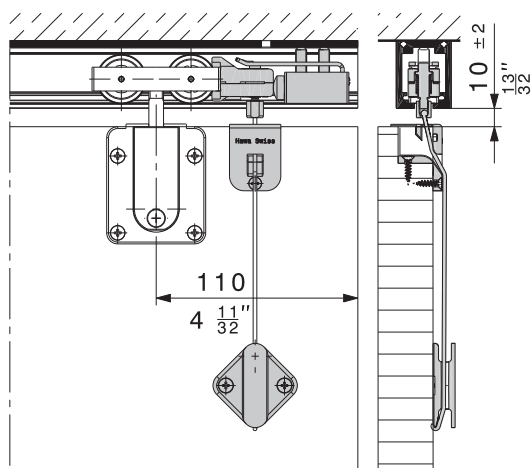


	I	II	III	IV
	✓	✓	✓	-
	✓	-	-	✓
	✓	-	-	-
	✓	-	-	-
	✓	✓	✓	-
	✓	-	-	✓
<p>Guide arrangements</p> <p>Certain guide options are freely adjustable. Further guide options available on request.</p>	<p>24542</p>	<p>24542</p>	<p>24543</p>	<p>24543/24544</p>
	<p>Alu profile anodized provided by others</p>	<p>Alu profile anodized provided by others</p>	<p>24460/24462</p>	<p>24460/24462</p>

Sliding shutter locking

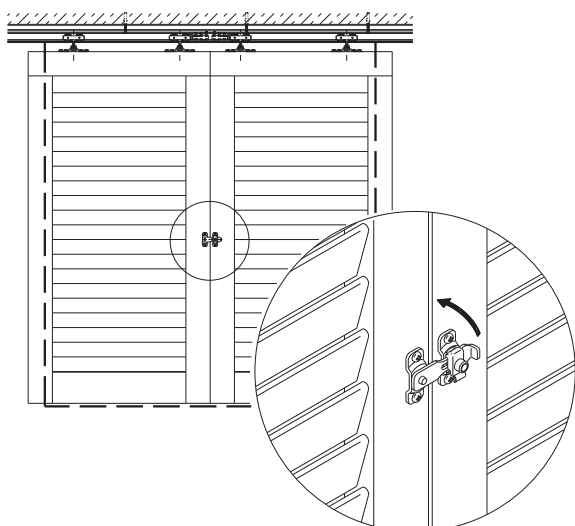


In combination with HAWA-Frontslide 60/A



In combination with HAWA-Frontslide 60/B

Catch for sliding shutters



The sliding shutter lock prevents manually operated shutters weighing up to 60 kg (132 lbs.) from opening of their own accord.

Description

The sliding shutter lock for HAWA-Frontslide 60 automatically engages as the shutters close and can be released from the room interior side only using a pull-cord. This sophisticated system prevents shutters from opening by themselves, even under the most adverse wind conditions.

Suitable for:

- HAWA-Frontslide 60/A
- HAWA-Frontslide 60/A-Symmetric 2
- HAWA-Frontslide 60/A-Symmetric 2+2
- HAWA-Frontslide 60/A-Telescopic 2
- HAWA-Frontslide 60/A-Telescopic 3
- HAWA-Frontslide 60/A-Telescopic 4
- HAWA-Frontslide 60/A with lower top track
- HAWA-Frontslide 60/B

Sliding shutter locking

		code
		19319
<p>Sliding shutter locking complete, for HAWA-Frontslide 60/A and 60/B</p>		

The sliding shutter catch keeps manually operated sliding shutters weighing up to 140 kg (308 lbs.) closed.

Description

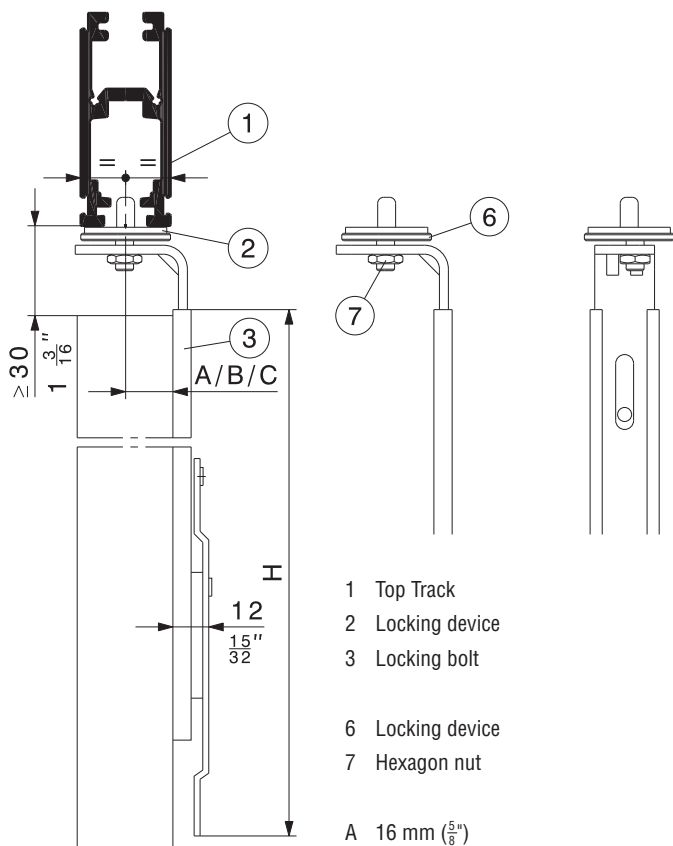
The sliding shutter catch holds together adjacent shutter pairs, which is a further means to prevent shutters from opening by themselves.

Catch for sliding shutters

		code
		17155
<p>Catch for sliding shutters, stainless steel, with fixing screws</p>		

Technische Änderungen vorbehalten.

Sliding shutter locking device



- 1 Top Track
- 2 Locking device
- 3 Locking bolt

- 6 Locking device
- 7 Hexagon nut

- A 16 mm ($\frac{5}{8}$ ")
- B 20 mm ($\frac{25}{32}$ ")
- C 25 mm (1")

HAWA-Frontslide 60/A

Sliding shutter locking device for securing manually operated sliding shutters weighing up to 140 kg (308 lbs.)

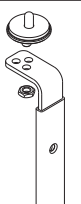
Description

The sliding shutter locking device is designed to lock sliding shutters in any position on the track.

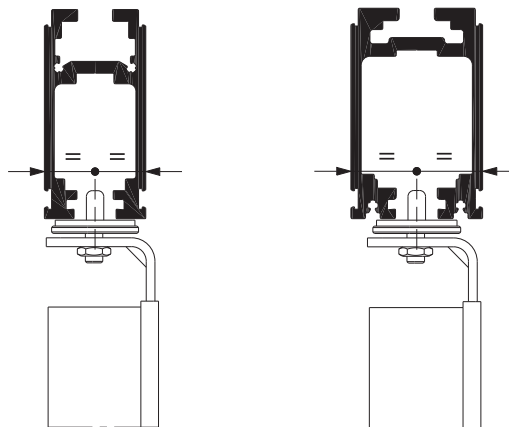
The locking device has an installation height of just 12 mm ($\frac{15}{32}$ ") and screws on to any type of shutter with no need for milling work; the device is also suitable for retrospective fitting.

Two different lengths are available for an ideal gripping position.

Sliding shutter locking device

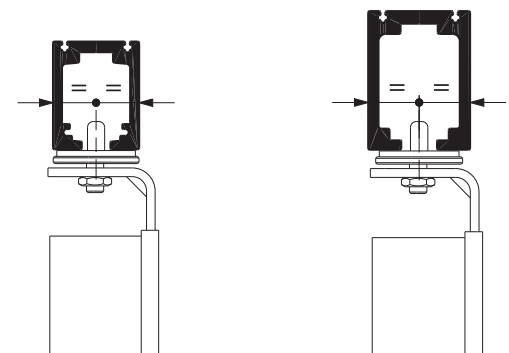
	mm/inch	code
	800 (2'7 $\frac{1}{2}$ ")	23714
	1200 (3'11 $\frac{1}{4}$ ")	23715

Further application examples



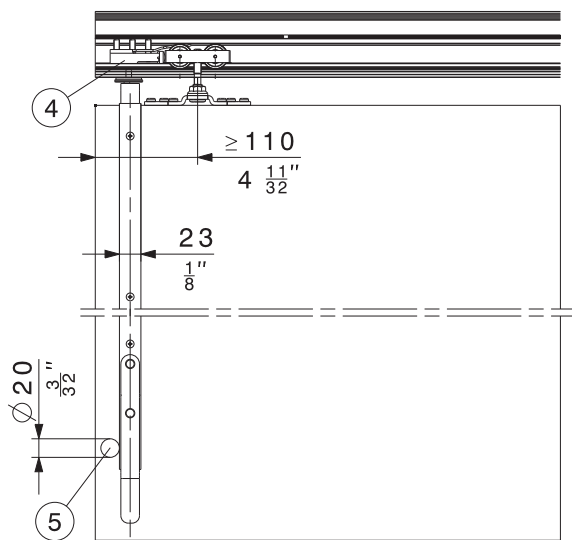
HAWA-Frontslide 100/A

HAWA-Frontslide 140/A



HAWA-Frontslide 60/A with lower top track

HAWA-Frontslide 100/A with lower top track



- 4 Track stop
- 5 Lock